



Delta  
WATER SOFTENERS



## Delta ESCALDA



- *Small dimensions, big performances*
- *Non-electric operation*
- *Reduced salt and water consumption*
- *Easy to install*
- *Different orientations possible*

100% GREEN



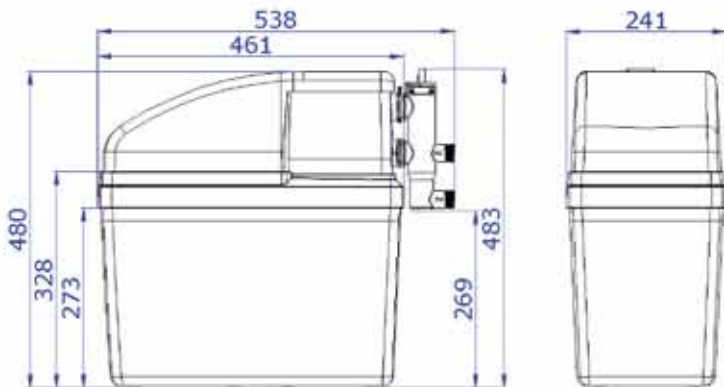


# Delta

WATER SOFTENERS

## ESCALDA

### DIMENSIONS



### TECHNICAL DATA

Connection	1/2", 3/4", 1"
Working Pressure	1 - 8 bar*
Flow Rate ( $\Delta p$ 1 bar)	max. 1500 l/h
Exchange Capacity	150 m <sup>3</sup> /ppm CaCO <sub>3</sub>
Water Usage / Regeneration	18 L
Salt Usage / Regeneration	0,3 kg
Regeneration Time	15 min
Max. Temperature	50 °C
Filterscreen	80 $\mu$ m

\* for a correct regeneration, Delta Softeners require a minimum outlet pressure of 0.8 bar



100% GREEN

Delta Water Engineering NV

Waesdonckstraat 1, 2640 Mortsel (Antwerp), BELGIUM

T +32 3 219 50 70

E [info@deltawatersystems.com](mailto:info@deltawatersystems.com)

U [www.deltawatersystems.com](http://www.deltawatersystems.com)

